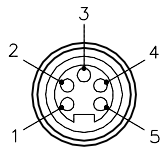


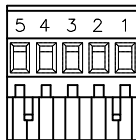
J1 & J2 CONNECTORS

TERMINAL BLOCK PLUGS

SPECIFICATIONS



- 1 = DRAIN
- 2 = + VOLTAGE
- 3 = - VOLTAGE
- 4 = CAN_H
- 5 = CAN_L



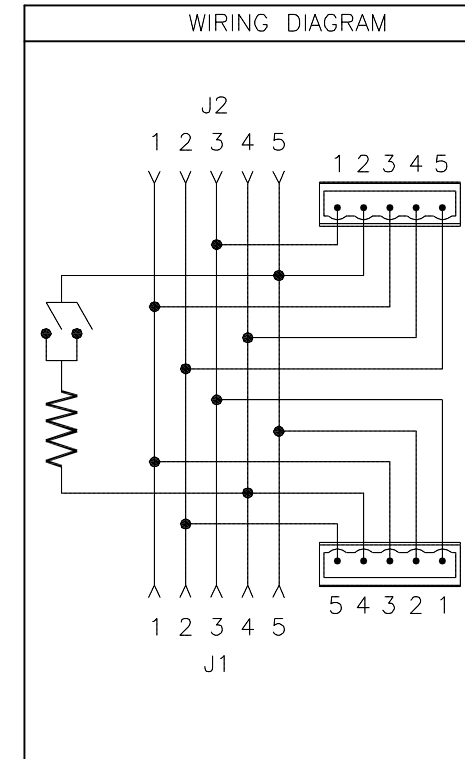
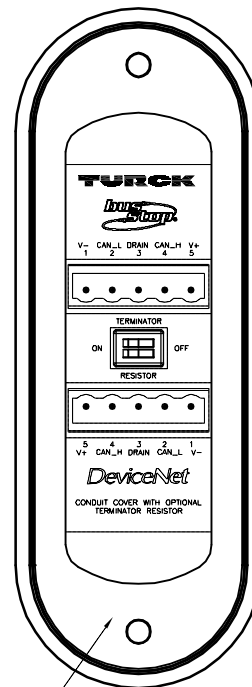
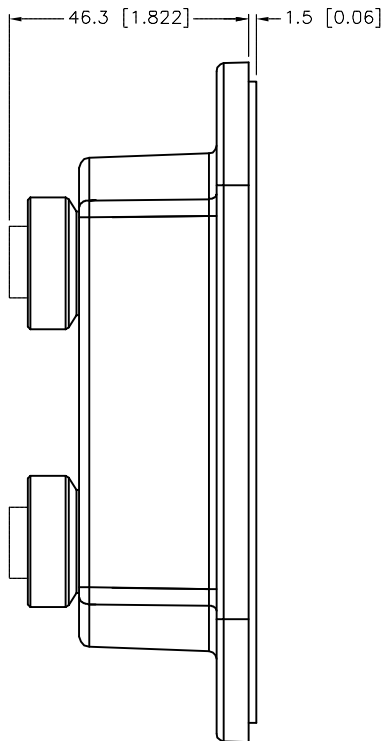
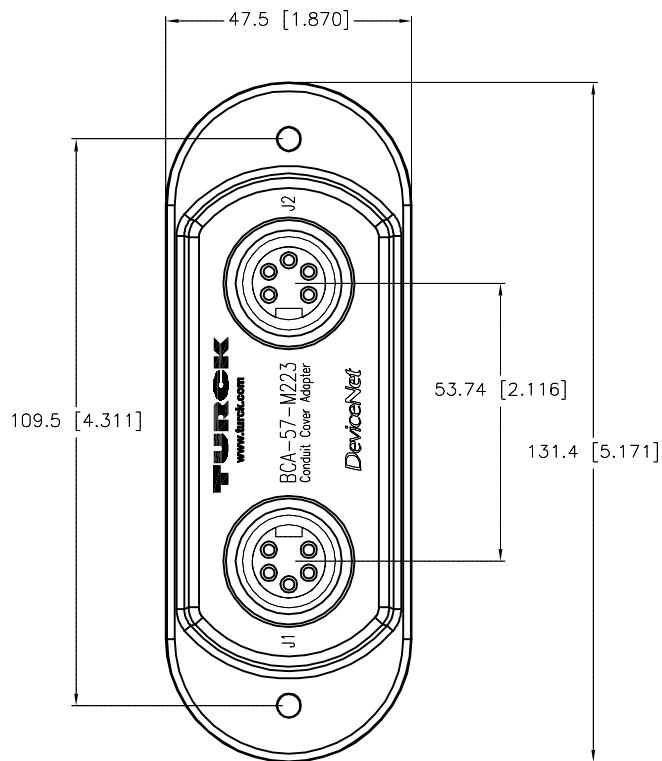
- 1 = - VOLTAGE
- 2 = CAN_L
- 3 = DRAIN
- 4 = CAN_H
- 5 = + VOLTAGE



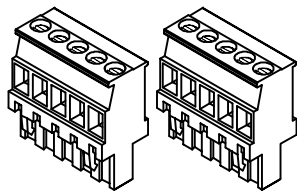
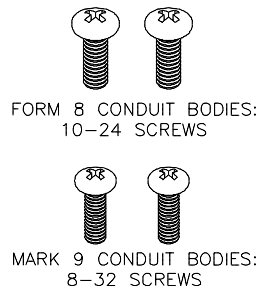
DeviceNet™



HOUSING MATERIAL/COLOR	NYLON 66 - 33% GLASS FILLED/BLACK
RECEPTACLE HOUSING MATERIAL/FINISH	STAINLESS STEEL/PASSIVATED
CONTACT CARRIERS/COLOR	TPU/BLUE
CONTACT MATERIAL/PLATING	BRASS/GOLD
OPERATING VOLTAGE	40 V
OPERATING CURRENT	8 A
OPTIONAL TERMINATOR RESISTOR	1 OF 2 SWITCHES IN "ON" POSITION
PROTECTION CLASS to DIN 40050	IP 67 - ONLY WHEN ALL RECEPTACLES ARE COVERED WITH PLUGS OR CONNECTED
OPERATING TEMPERATURE	-40°C to +70°C (-40°F to +158°F)



COVER SCREWS INCLUDED



TERMINAL PLUGS INCLUDED

SOURCE DRAWING - FOR REFERENCE ONLY

RELATED DOCUMENTS 1. 2. 3. 4.	3RD ANGLE PROJECTION 	THIS DRAWING IS CONFIDENTIAL AND THE PROPERTY OF TURCK INC. USE OF THIS DOCUMENT WITHOUT WRITTEN PERMISSION IS PROHIBITED.		3000 CAMPUS DRIVE MINNEAPOLIS, MN 55441 1-800-544-7769 (763) 553-7300 (763) 553-0708 fax turck.com	
		MATERIAL	DRFT RDS APVD DF	DATE 01/30/02 SCALE 1=1.5	DESCRIPTION BCA-57-M223
FINISH	CONTACT TURCK FOR MORE INFORMATION	UNIT OF MEASUREMENT MILLIMETER [INCH]		IDENTIFICATION NO. U8632	REV F
F ADD THICKER GASKET		RDS 09/12/13 42993	DO NOT SCALE THIS DRAWING		FILE: U8632 SHEET 1 OF 1
REV DESCRIPTION	BY DATE ECO NO.				